

COMMERCIAL ITEM DESCRIPTION

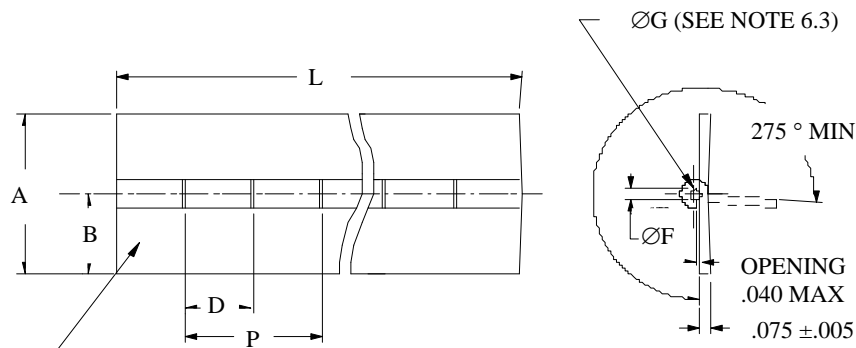
HINGE, BUTT, CONTINUOUS (PIANO)
 .075 THICKNESS, .187 & .250 PIN DIA

The General Services Administration has authorized the use of this Commercial Item Description for all Federal Agencies.

1. SCOPE. This Commercial Item Description (CID) covers commercial and industrial quality, continuous butt piano hinges suitable for use on cases, chests, and any other adaptable surface.

2. SALIENT CHARACTERISTICS.

2.1 Butt hinges and pin hinge furnished under this CID shall conform to the dimensions as specified in Table I and Figure 1 below.



IMPRESS PART IDENTIFICATION NUMBER AT A MAXIMUM OF 5 INCH INTERVALS

FIGURE 1. HINGE.

Comments, suggestions, or questions on this document should be addressed to Defense Supply Center Philadelphia, ATTN: DSCP-NASA, 700 Robbins Avenue., Philadelphia, PA 19111-5096 or e-mail to dscpg&ispeccomments@dla.mil. Since contact information can change, you may want to verify the currency of this address information using the ASSIST Online database at <https://assist.daps.dla.mil>.

TABLE I. DASH NUMBERS AND DIMENSIONS

DASH No.	WIDTH		KNUCKLE LENGTH D <u>1</u> / +.000 -.015	PITCH P <u>2</u> / +.015 -.003	KNUCKLE ØF +.007 -.001	PIN ØG	STOCK LENGTH L ±.03
	A REF	B ±.031					
10	-	-	-	-	-	.187 ±.001	84.00 SEE SAL. CHAR. 2.6
11	2.000	1.000	1.998	4.000	.192		
12	2.500	1.250					
13	3.000	1.500					
14	3.500	1.750					
15	4.000	2.000					
16	2.000	1.000	.255	.250 ±.002			
17	2.500	1.250					
18	3.000	1.500					
19	3.500	1.750					
20	4.000	2.000					
21	-	-	-	-	-		

1/ SEE SAL. CHAR. 2.4

2/ SEE SAL. CHAR. 2.5

2.2 MATERIAL:

- A. Aluminum leaf temper, H24 or H34 Alloy 5052 (UNS A95052) in accordance with SAE-AMS-QQ-A-250/8.
Aluminum pin temper, H34 Alloy 5052 (UNS A95052) in accordance with ASTM B211.
- B. Brass leaf alloy 268 (UNS C26800) temper HO2, in accordance with ASTM B36/B36M.
Copper pin alloy 260 (UNS C26000) temper HO2, in accordance with ASTM B134/B134M.
- C. Corrosion resistant steel leaf, temper annealed composition 301 (UNS S30100) in accordance with ASTM A666, 302 (UNS S30200) or 304 (UNS S30400) in accordance with ASTM A240/A240M.
Corrosion resistant steel pin, composition 302 (UNS S30200), 304 (UNS S30400), 305 (UNS S30500) and 316 (UNS S31600) in accordance with ASTM A313/A313M.
- D. Carbon steel leaf cold rolled, temper no. 4 in accordance with QQ-S-698.
Carbon steel pin composition 1010 (UNS G10100), 1020 (UNS G10200), in accordance with ASTM A853.
- E. Carbon steel leaf cold rolled, temper no. 4 in accordance with QQ-S-698.
Copper pin alloy 260 (UNS C26000), temper HO2 in accordance with ASTM B134/B134M.

2.3 FINISH: Material A, B and D shall be plain (uncoated). When specified, material A shall be chemical conversion coated in accordance with MIL-DTL-5541, class 1A, and material D shall be zinc plated in accordance with ASTM B633, TYPE II, FE/ZN 13. Material C shall be passivated in accordance with SAE-AMS-QQ- P-35. Material E shall be cadmium plated in accordance with SAE-AMS-QQ-P-416, Type II, Class 1.

2.4. Knuckles: End knuckles shall be a minimum of 1/2 of knuckle.

2.5 Pitch: Cumulative tolerance on pitch is ±.015 inches in any 36 inch segment.

2.6 Hinges shall be stocked and issued in lengths of 84.00 inches. Application may be of any length within the above length.

2.7 Workmanship. The hinges furnished shall be free from imperfections which may impair durability or serviceability.

3. REGULATORY REQUIREMENTS.

3.1 The offerer/contractor is encouraged to use recovered materials to the maximum extent practicable, in accordance with paragraph 23.403 of the Federal Acquisition Regulation (FAR).

4. PRODUCT CONFORMANCE PROVISIONS.

4.1 Product conformance. The products provided shall meet the salient characteristics of this commercial item description, conform to the producer's own drawings, specifications, standards, and the quality assurance practices, and be the same product offered for sale in the commercial market. The government reserves the right to require proof of such conformance.

5. PACKAGING.

5.1 Preservation, packing and marking shall be as specified in the contract or order.

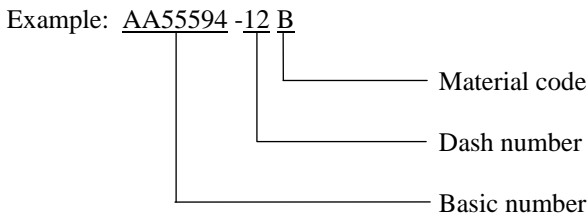
6. NOTES.

6.1 Unless otherwise specified, all dimensions are in inches.

6.2 Unless otherwise specified in the contract or purchase order, packaging shall be in accordance with ASTM D3951.

6.3 Pin without butt leaves will be supplied when the part identification number specifies dash 10 or dash 21.

6.4 The following part or identification numbering procedure is for government purposes and does not constitute a requirement for the contractors. The part number identification number (PIN) shall consist of the basic commercial item description number followed by a dash number from Table I, and material code. When protective finish is required for material A or D, add "F" to the PIN.



6.5 Source of documents.

6.5.1 Department of Defense Specifications. Copies of Department of Defense specifications may be obtained from the Standardization Document Order Desk, 700 Robbins Avenue, Building 4D, Philadelphia, PA 19111-5094 or online at <https://assist.daps.dla.mil/quicksearch/>.

6.5.2 FAR. The FAR may be obtained from the Regulatory Secretariat, 1800 F Street NW, Washington DC 20405 or online at <http://www.acqnet.gov>.

6.5.3 ASTM Standards. Copies of ASTM standards may be obtained from the ASTM International, 100 Barr Harbor Drive, West Conshohocken, PA 19428-2959 or online at <http://www.astm.org>.

6.5.4 SAE Specifications. Copies of SAE specifications may be obtained from the Society of Automotive Engineers, Inc., 400 commonwealth Drive, Warrendale, PA 15096-0001 or online at <http://www.sae.org>.

6.6 Ordering data. The contract or order should specify the following:

- a. CID document number, revision, and CID PIN.
- b. Product conformance provisions.
- c. Packaging requirements.

6.7 Key words.

Cadmium
Knuckle
Pitch

6.8 Changes from previous issue. The margins of this specification are marked with vertical lines to indicate where changes (additions, modifications, corrections, deletions) from the previous issue were made. This was done as a convenience only, and the government assumes no liability whatsoever for any inaccuracies in these notations. Bidders and contractors are cautioned to evaluate the requirements of this document based on the entire content irrespective of the marginal notations and relationship to the last previous issue.

MILITARY ACTIVITIES:

Custodian:
Army – AR
Navy – AS
Air Force – 99

Review activities:
Army – MI
Navy – MC
Air Force – 71

CIVIL AGENCY COORDINATING ACTIVITY:

GSA – FAS

Preparing activity:
DLA – IS

(Project 5340-2010-026)

NOTE: The activities listed above were interested in this document as of the date of this document. Since organizations and responsibilities can change, you should verify the currency of the information above using the ASSIST Online database at <https://assist.daps.dla.mil>.