

INCH-POUND

MS35824E  
 30 JUNE 2010  
 SUPERSEDING  
 MS35824D  
 6 JANUARY 1989

DETAIL SPECIFICATION SHEET

HINGE, CONTINUOUS (PIANO) .050 THICKNESS, .187 DIA.

Inactive for new design after 22 January 1976.

This specification sheet is approved for use by all Departments and Agencies of the Department of Defense.

The requirements for acquiring the product described herein shall consist of this specification sheet and procurement specification MIL-H-9850.

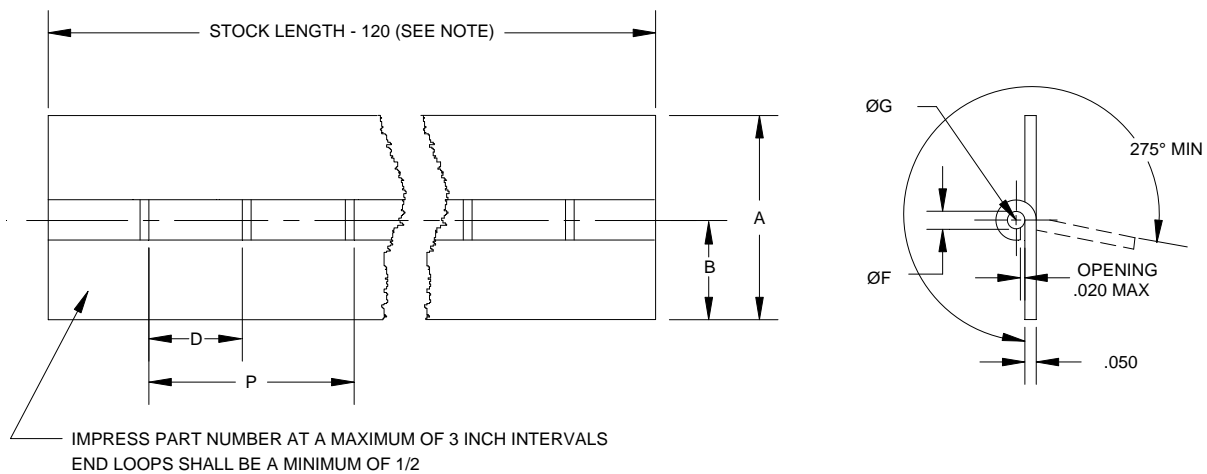


FIGURE I. Hinge.

TABLE I. Dash Numbers and Dimensions.

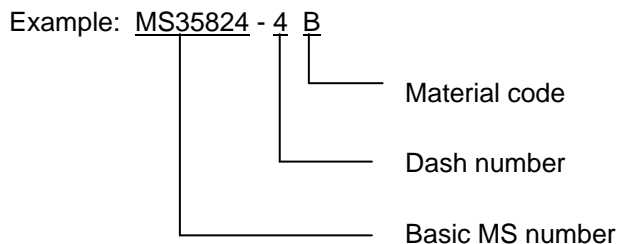
DASH NO.	WIDTH		STOCK LENGTH L ±.03	KNUCKLE LENGTH 1/D		PITCH 2/P		KNUCKLE ØF		PIN ØG	
	A REF	B ±.031									
1	1.062	.531	120 SEE NOTE 2	.998	+.000 -.015	2.000	-.003	.190	+.007 -.001	.187	+.000 -.002
2	1.500	.750									
3	2.000	1.000									
4	2.500	1.250									
5	1.062	.531		1.998	+.000 -.015	4.000	-.003				
6	1.500	.750									
7	2.000	1.000									
8	2.500	1.250									

1/ See requirement 3.

2/ See requirement 4.

Requirements:

1. **Material** - A. Aluminum-leaf-temper, H24 or H34 Alloy 5052 (UNS A95052) in accordance with SAE-AMS-QQ-A-250/8.  
Aluminum-pin-temper, H34 Alloy 5052, (UNS A95052) in accordance with ASTM B211.  
  
B. Brass-leaf-alloy 268 (UNS C26800) temper H02, in accordance with ASTM B36/B36M  
Copper-pin-alloy 260 (UNS C26000) temper H02, in accordance with ASTM B134/B134M.  
  
C. Corrosion resistant steel-leaf, temper annealed composition 301 (UNS S30100) in accordance with ASTM A666, 302 (UNS S30200) or 304 (UNS S30400) in accordance with ASTM A240/A240M.  
Corrosion resistant steel-pin composition 302 (UNS S30200), 304 (UNS 30400), 305 (UNS S30500) and 316 (UNS S31600) in accordance with ASTM A313/A313M.  
  
D. Carbon steel-leaf-cold-rolled, temper no. 4 in accordance with QQ-S-698.  
Carbon steel-pin-composition 1010 (UNS G10100), 1020 (UNS G10200) in accordance with ASTM A853.  
  
E. Carbon-steel-leaf-cold-rolled temper no. 4 in accordance with QQ-S-698.  
Copper-pin-alloy 260 (UNS C26000) temper H02 in accordance with ASTM B134/B134M.
2. **Finish** - Material A, B,C and D shall be plain (uncoated). When specified, material D shall be zinc plated in accordance with ASTM B633, Type II, Fe/Zn 13 or cadmium plated in accordance with SAE-AMS-QQ-P-416,type II, Class 1. Material E shall be cadmium plated in accordance with SAE-AMS-QQ-P-416, Type II, Class 1.
3. **Knuckles** - End knuckles shall be a minimum of 1/2 of knuckle.
4. **Pitch** - Cumulative tolerance on pitch is  $\pm .015$  inches in any 36 inch segment.
5. **Part number** - The MS part number consists of the MS number plus the dash number followed by the applicable code for material from requirement 1.



When protective finish is required for material D, add F to the part number.

Notes:

1. All dimensions are in inches unless otherwise specified.
2. Hinges shall be stocked and issued in lengths of 120.00 inches. Application may be of any length within the above length.
3. In the event of a conflict between the text of this standard and the references cited herein, the text of this standard shall take precedence.
4. Changes from previous issue. Marginal notations are not used in this revision to identify changes with respect to the previous issue due to the extent of the changes.

Custodians:  
Army - AR  
Navy - AS  
Air force - 99

Preparing Activity:  
DLA -IS  
  
(Project 5340-2010-016)

Review activity:  
Army - AT, AV  
Navy - MC  
Air force - 71

Note: the activities listed above were interested in this document as of the date of this document. Since organizations and responsibilities can change, you should verify the currency of the information above using the assist online database at <https://assist.daps.dla.mil>.