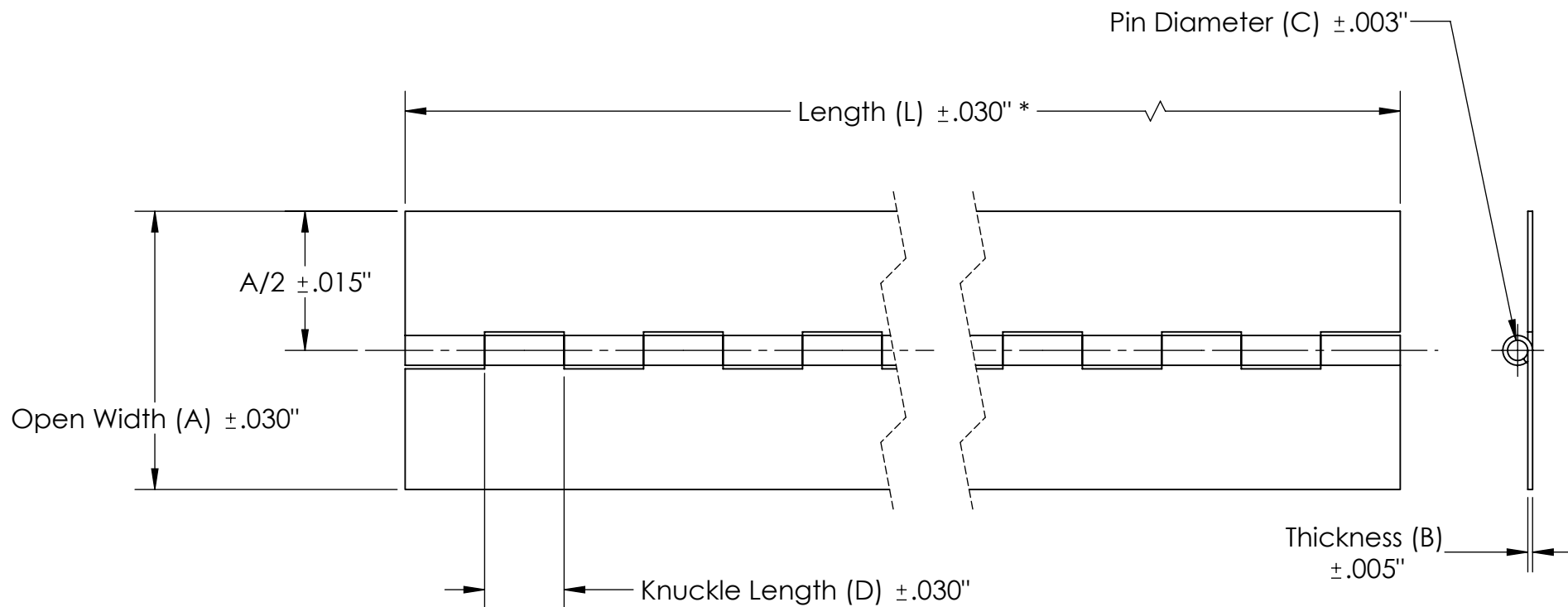
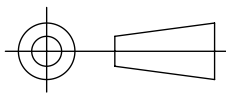


A
SIZE



NOTES:

1. Range of Motion is Approximately 270°
2. Hinge Pin is Removable with Force
3. Acceptable Burr $\pm 10\%$ of material thickness
4. *Tolerance on length is $\pm .060''$ for hinges with thickness (B) $> .090''$

Part No.

Aluminum Piano Hinges (Various)

MATERIAL

5052-H34 Aluminum

FINISH

None

Tolerances shown are unless otherwise specified. All tolerances are non-cumulative. All dimensions apply before any finish is applied.



ladeau.com | info@ladeau.com
ph. 818-240-3990 | fx. 818-240-1219

637 W. Colorado St.,
Glendale, CA 91204 USA

Part Number	Material	Thickness (B) ($\pm.005$ in/ $\pm.127$ mm)		Open Width (A) ($\pm.030$ in/ $\pm.762$ mm)		Knuckle Length (D) ($\pm.030$ in/ $\pm.762$ mm)		Pin Diameter (C) ($\pm.003$ in/ $\pm.076$ mm)		Stock Length (L) ($\pm.030$ in/ $\pm.762$ mm)	
A07525037A20-7200	5052 H34 Aluminum, Origin: USA	0.075 in	1.91 mm	2.500 in	63.50 mm	2.000 in	50.80 mm	0.375 in	9.53 mm	72 in	1828.8 mm
A07530037A20-7200	5052 H34 Aluminum, Origin: USA	0.075 in	1.91 mm	3.000 in	76.20 mm	2.000 in	50.80 mm	0.375 in	9.53 mm	72 in	1828.8 mm
A07535037A20-7200	5052 H34 Aluminum, Origin: USA	0.075 in	1.91 mm	3.500 in	88.90 mm	2.000 in	50.80 mm	0.375 in	9.53 mm	72 in	1828.8 mm
A07540037A20-7200	5052 H34 Aluminum, Origin: USA	0.075 in	1.91 mm	4.000 in	101.60 mm	2.000 in	50.80 mm	0.375 in	9.53 mm	72 in	1828.8 mm
A07550037A20-7200	5052 H34 Aluminum, Origin: USA	0.075 in	1.91 mm	5.000 in	127.00 mm	2.000 in	50.80 mm	0.375 in	9.53 mm	72 in	1828.8 mm
A07560037A20-7200	5052 H34 Aluminum, Origin: USA	0.075 in	1.91 mm	6.000 in	152.40 mm	2.000 in	50.80 mm	0.375 in	9.53 mm	72 in	1828.8 mm
A09030025A20-7200	5052 H34 Aluminum, Origin: USA	0.090 in	2.29 mm	3.000 in	76.20 mm	2.000 in	50.80 mm	0.250 in	6.35 mm	72 in	1828.8 mm
A09035025A20-7200	5052 H34 Aluminum, Origin: USA	0.090 in	2.29 mm	3.500 in	88.90 mm	2.000 in	50.80 mm	0.250 in	6.35 mm	72 in	1828.8 mm
A09040025A20-7200	5052 H34 Aluminum, Origin: USA	0.090 in	2.29 mm	4.000 in	101.60 mm	2.000 in	50.80 mm	0.250 in	6.35 mm	72 in	1828.8 mm
A09050025A20-7200	5052 H34 Aluminum, Origin: USA	0.090 in	2.29 mm	5.000 in	127.00 mm	2.000 in	50.80 mm	0.250 in	6.35 mm	72 in	1828.8 mm
A09040031A20-7200	5052 H34 Aluminum, Origin: USA	0.090 in	2.29 mm	4.000 in	101.60 mm	2.000 in	50.80 mm	0.312 in	7.92 mm	72 in	1828.8 mm
A09050031A20-7200	5052 H34 Aluminum, Origin: USA	0.090 in	2.29 mm	5.000 in	127.00 mm	2.000 in	50.80 mm	0.312 in	7.92 mm	72 in	1828.8 mm
A09060031A20-7200	5052 H34 Aluminum, Origin: USA	0.090 in	2.29 mm	6.000 in	152.40 mm	2.000 in	50.80 mm	0.312 in	7.92 mm	72 in	1828.8 mm
A09040037A20-7200	5052 H34 Aluminum, Origin: USA	0.090 in	2.29 mm	4.000 in	101.60 mm	2.000 in	50.80 mm	0.375 in	9.53 mm	72 in	1828.8 mm
A09050037A20-7200	5052 H34 Aluminum, Origin: USA	0.090 in	2.29 mm	5.000 in	127.00 mm	2.000 in	50.80 mm	0.375 in	9.53 mm	72 in	1828.8 mm
A09060037A20-7200	5052 H34 Aluminum, Origin: USA	0.090 in	2.29 mm	6.000 in	152.40 mm	2.000 in	50.80 mm	0.375 in	9.53 mm	72 in	1828.8 mm
A12540031A20-7200	5052 H34 Aluminum, Origin: USA	0.125 in	3.18 mm	4.000 in	101.60 mm	2.000 in	50.80 mm	0.312 in	7.92 mm	72 \pm .060 in	1828.8 \pm 1.52 mm
A12550031A20-7200	5052 H34 Aluminum, Origin: USA	0.125 in	3.18 mm	5.000 in	127.00 mm	2.000 in	50.80 mm	0.312 in	7.92 mm	72 \pm .060 in	1828.8 \pm 1.52 mm
A12540037A20-7200	5052 H34 Aluminum, Origin: USA	0.125 in	3.18 mm	4.000 in	101.60 mm	2.000 in	50.80 mm	0.375 in	9.53 mm	72 \pm .060 in	1828.8 \pm 1.52 mm
A12550037A20-7200	5052 H34 Aluminum, Origin: USA	0.125 in	3.18 mm	5.000 in	127.00 mm	2.000 in	50.80 mm	0.375 in	9.53 mm	72 \pm .060 in	1828.8 \pm 1.52 mm
A12560037A20-7200	5052 H34 Aluminum, Origin: USA	0.125 in	3.18 mm	6.000 in	152.40 mm	2.000 in	50.80 mm	0.375 in	9.53 mm	72 \pm .060 in	1828.8 \pm 1.52 mm